

BP93420DI Differential Pressure Transmitter

Introduction:

BP93420DI is a differential pressure transmitter that utilizes the piezoresistive effect of semiconductor silicon material to convert differential pressure into an electrical signal. It is mainly used for measuring small differential pressures of non-corrosive dry gases, suitable for applications in industries such as boiler air supply, underground ventilation in the power and mining industries, and pressure automatic detection in ultra-clean workshops for process control.

Product Features :

- Choice of aluminum or plastic casing design
- Lightweight and easy to install
- Undergone rigorous high and low-temperature testing to ensure wide temperature range usability
- High accuracy

Applications :

- Suitable for applications in boiler and mining industries
- Brewing and power industries
- Designed for detecting small differential pressures of non-corrosive gases



Notes :

- 1、 Do not touch the isolation diaphragm with hard objects.
- 2、 Follow the specified wiring method to avoid causing safety incidents.



03

BP93420DI Differential Pressure Transmitter

Performance Parameters	
Measurement Range	0-500Pa, 0-1KPa,0-2KPa, 0-5KPa, 0-7kPa, 0-10KPa,0~200KPa
Pressure Type	Differential Pressure
Static pressure	2 times of the rated range
Overload	≤ 1.5 times of the rated range
Accuracy @ 25°C	±0.5% (Typical), ±1% (Maximum)
Zero Temperature Drift	±2.5%F.S/°C (Typical) ±3%F.S/°C (Maximum)
Span Temperature Drift	±2.5%F.S/°C (Typical) ±3%F.S/°C (Maximum)
Compensation Temperature	0-50°C
Operating Temperature	-20°C~80°C
Storage Temperature	-40°C~100°C
Housing Material	Aluminum alloy、 Plastic
Relative humidity	0-80%
Pressure connection	φ6 air nozzle or customizable
Protection Rating	IP65
Cable material	Polyethylene
Weight	~0.15kg

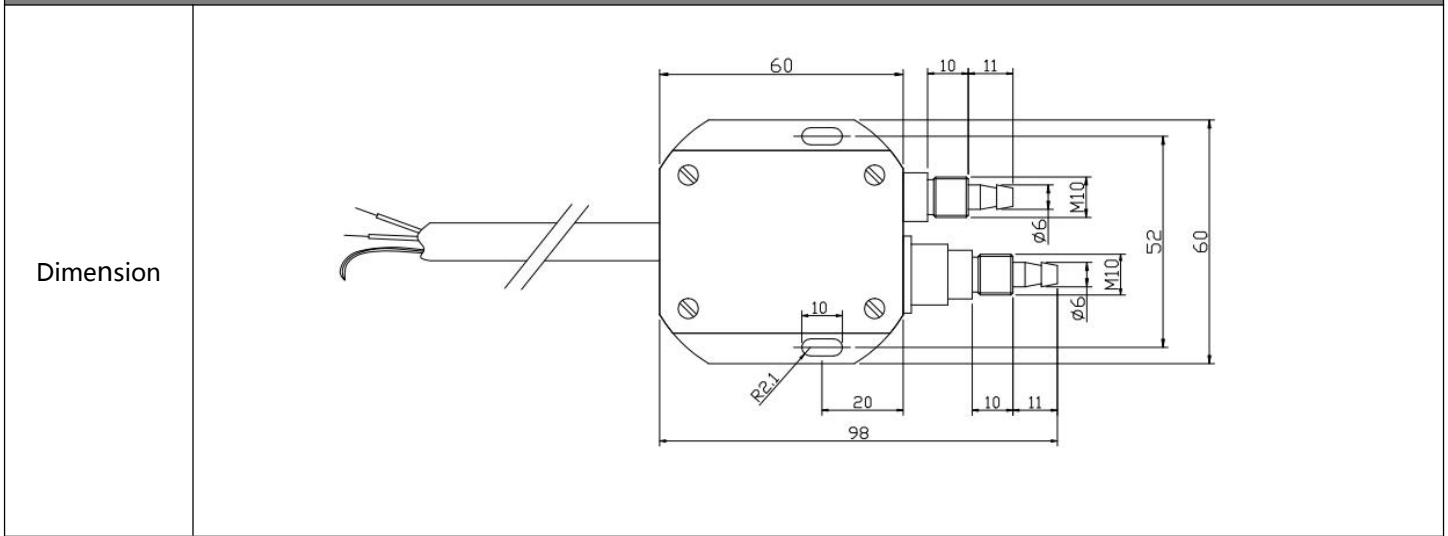
Output Signal	Supply Voltage	Output Type
4 ~ 20mA	12 ~ 30VDC	2/3/4 wire
0 ~ 10/20mA		3 wire
0/1 ~ 5V		
0/1 ~ 10V		
0.5 ~ 4.5V	5VDC	



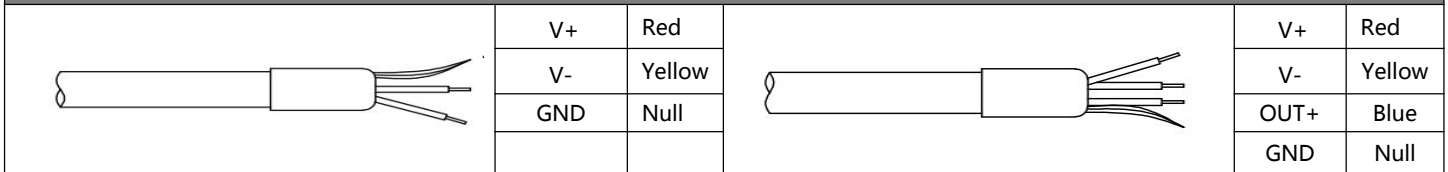
03

BP93420DI Differential Pressure Transmitter

Outline Construction

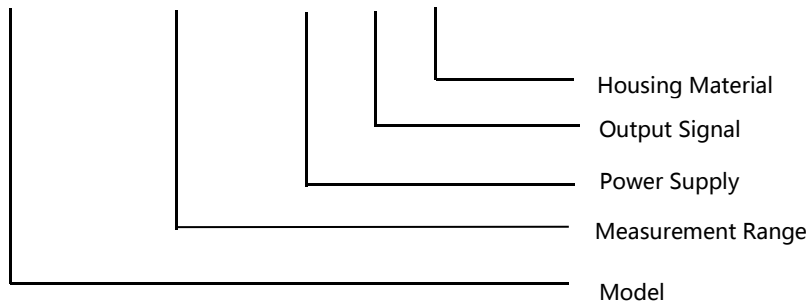


Electrical Connection



Selection Examples

BP93420DI 0~500Pa D1 S 01





05

BP93420DI Differential Pressure Transmitter

Ordering tips

1. When selecting the product, please ensure that the medium to be measured is compatible with the product parts in contact.
2. To ensure reliable operation, ensure that the measured medium is slowly and evenly pressurized on both the positive and negative pressure chambers of the transmitter.
3. During installation, it is recommended to position the pressure interfaces at both ends horizontally to minimize the impact on the product due to the installation position.
4. For special requirements such as strong vibration, instantaneous impact force, strong electromagnetic interference, and radio frequency interference, please inform the company and specify them in the order.

Order Guide					
BP93420D	Pressure Transmitter				
	Code	Outline Construction			
	I	Differential Pressure Transmitter			
		Measurement Range	0-500Pa, 0-1KPa,0-2KPa, 0-5KPa, 0-7kPa, 0-10KPa,0~ ~ ~200KPa		
			Code	Power Supply	
			D1	24VDC	
			D2	5VDC	
			D3	Other	
			Code	Output Signal	
			S1	4 ~ 20mADC	S5 0 ~ 20mADC
			S2	1 ~ 5VDC	S6 0 ~ 10VDC
			S3	0 ~ 5VDC	S7 0.5 ~ 4.5VDC
			S4	0 ~ 10mADC	
				Code	Pressure Type
				D	Differential Pressure
				Code	Housing Material
				01	Aluminum alloy
				02	Plastic

Contact Us:

Sales Hotline:+8618791975539

Email : wenzhuang@sensortasia.com

Company Website: <http://www.cn-htdz.com>

Address: No. 195, Gaoxin Road, Baoji City, China